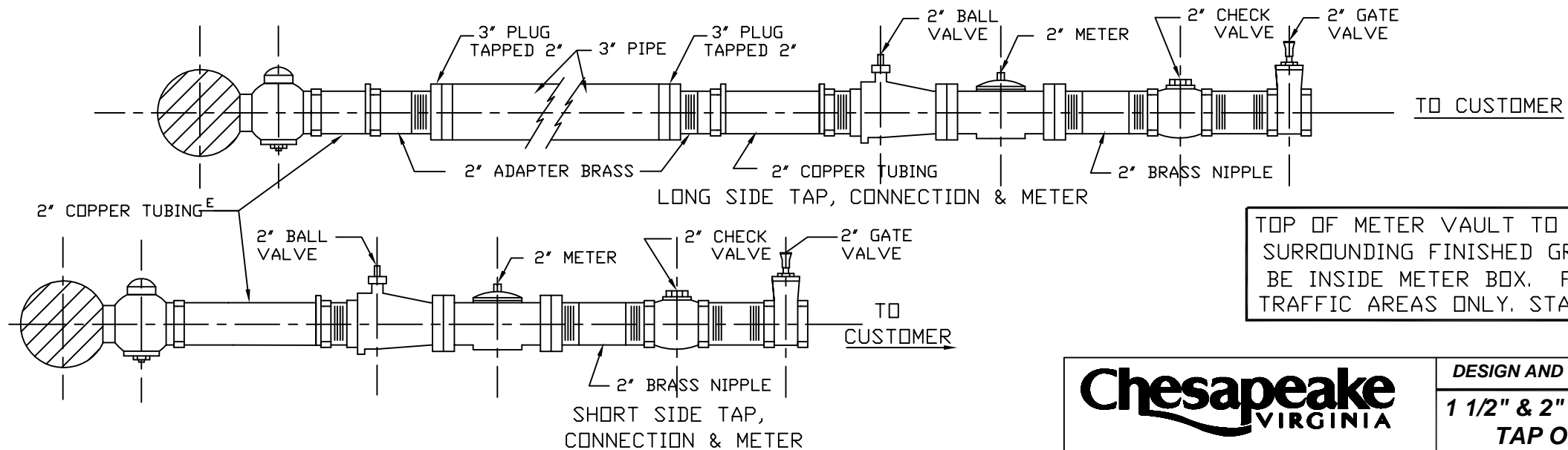


STANDARD 1 1/2" AND 2" METER VAULT AND METER ASSEMBLY



TOP OF METER VAULT TO BE FLUSH WITH SURROUNDING FINISHED GRADE. VALVE MUST BE INSIDE METER BOX. FOR USE IN NON-TRAFFIC AREAS ONLY. STAGGERED.

STANDARD 2" TAP & METER SYSTEM FOR WATER MAIN SIZES 8" & ABOVE

		DESIGN AND CONSTRUCTION STANDARDS	
		1 1/2" & 2" METER VAULT FOR 2" TAP ON WATER MAINS, 8" & ABOVE	
08/15/03	REV. FOR INTERNET 2003	DR. BY:	DATE:
DATE	REVISIONS	CHK. BY:	DATE:
		APP. BY:	DATE:

WMV-1